

## SPH-CM-TEST and SPH-VM TEST: Hybrid Detector Evaluation Test Box

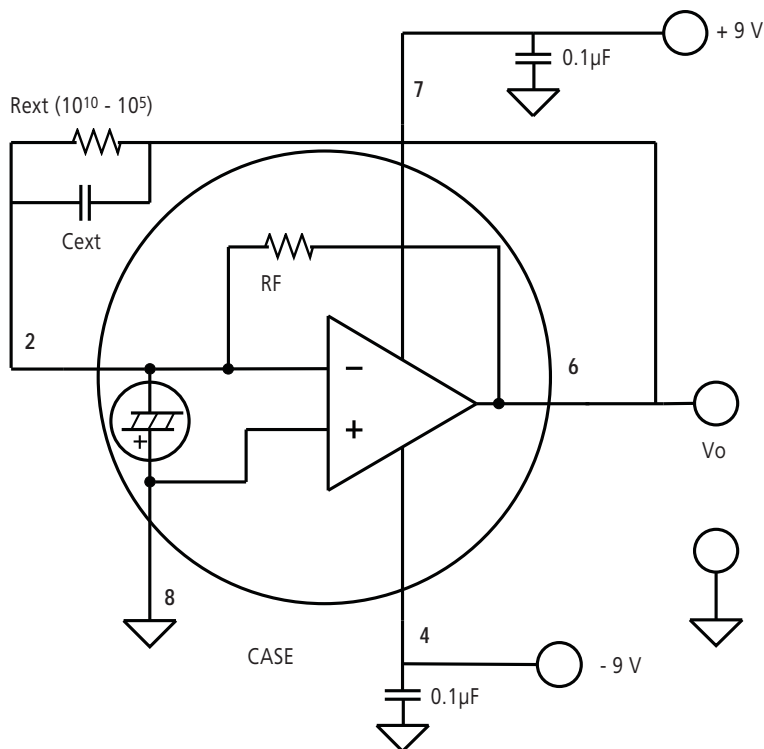


Our **SPH-VM-TEST** and **SPH-CM-TEST** products make it incredibly easy to plug in a Pyro detector, drop in a filter or optic and begin making measurements ... like now!

The **SPH-VM-TEST** is designed for our SPH-10 and SPH-20 series Voltage Mode Detectors (and Molectron P1-50, 60 and 70 series). The **SPH-CM-TEST** is designed for our SPH-30 and SPH-40 series Current Mode Detectors (and Molectron P1-30 and P1-40 series).

Both products include 6 decades of selectable load and feedback resistors, which give you the ability to adjust the Voltage Responsivity ( $R_v$ ) and Bandwidth (BW) of the detector. Our Test Boxes are 9V battery powered, enclosed in an EMI immune housing and include a standard ThorLabs SM1 (1.035-40) threaded front bezel which makes it easy to add windows, ND filters and Optical lenses.

### Electronic schematic of SPH-40 and SPH-CM-TEST



### What's in the Test Box?

The basic schematic at the left shows both the SPH-40 Hybrid Detector (circled) and some of the Test Box circuit. As you can see the Test Box includes batteries, 6 decades of chip resistors ( $R_{ext}$ ) and a feedback capacitor ( $C_f$ ) for the SPH-CM version. In addition it includes an on/off switch, green power light and BNC output connector all in an shielded EMI enclosure.

Spectrum Detector Inc.  
Detector solutions that cover the spectrum.

